

# Enclosed Contactors Type NLCONM

Metal Enclosure to IP55  
IEC947-4-1 Issue 11  
Installation Instructions



## Features

A range of contactors, suitable for switching heating loads up to 100A and lighting loads up to 70A. Available with 230V a.c. supply. All contactors are fitted with neutral terminal strip.

## Safety - Important

**All electrical equipment for operating on low voltages contain devices which are capable of causing serious or fatal injuries**

**Only skilled & qualified personnel should carry out installation or maintenance work on this equipment and must adhere to all appropriate international, regional & local standards applicable.**

## Installation.

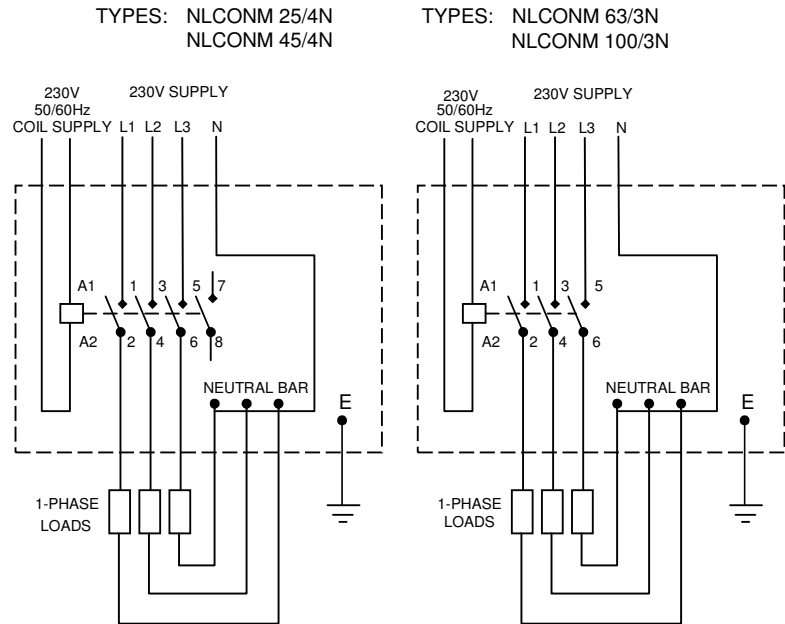
- 1 Remove cover from starter by releasing the 4 captive lid screws with a screwdriver
- 2 Check the Contactor operating coil Voltage & Frequency is suitable for the intended supply.
- 3 Check that the Contactor current rating covers the intended load.
- 4 Remove appropriate top/bottom knock-outs and mount the Starter base on a vertical surface, free from any vibrations.
- 5 Attach required conduits and/or cable glands.
- 6 Connect the Supply Line & Load cables, ensure ALL terminals are tight.
- 7 Ensure that all Earth connections are fitted and tight including the base to lid lead supplied as standard.
- 8 Replace the cover ensuring that the base mounted seal is in continuous contact with the lid and that 4 off fixing screws are tight.

## Ratings

Reference	Amps per pole		Cable Capacities	
	Heating loads AC1	Lighting Loads	Main	Auxiliaries
NLCONM 25/4N	25	16	2x4mm <sup>2</sup> max	2x4mm <sup>2</sup> Max
NLCONM 45/4N	40	27	2x6mm <sup>2</sup> max	
NLCONM 63/3N	63	50	2x16mm <sup>2</sup> max	
NLCONM 100/3N	100	70	2x25mm <sup>2</sup> max	

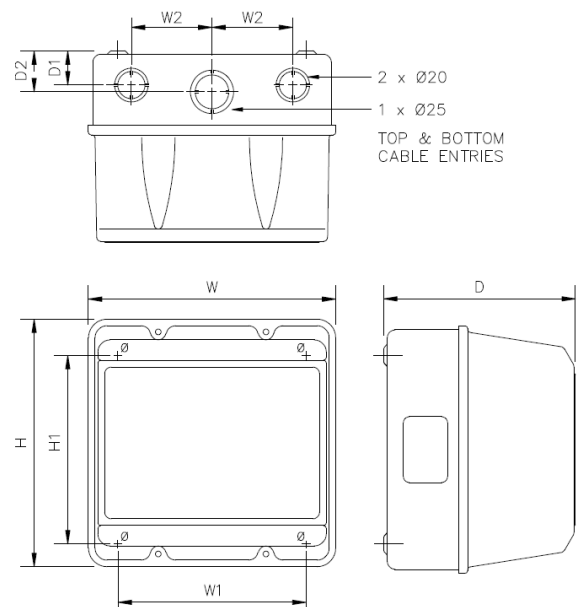
**Council of European Communities Directives:** The products in this publication conform to relevant EEC Directives and EN Standards. Installation and use of such products must be carried out by competent, properly trained personnel, complying with any instructions supplied by the manufacturer. Liability for improper incorporation, assembly, use, processing, storing or handling of goods remains the sole responsibility of the individual, or company carrying out such work. This publication is for information only. Whilst every care has been taken in the preparation of this leaflet, no liability is accepted for any consequence of its use. No licence to use any patent should be assumed. All dimensions are approximate only and subject to change without notice, as are other technical features resulting from continual development and improvement.

## Typical Circuit Connections



## Dimensions (mm)

Type	H	H1	W	W1	W2	D	D1	D2	Ø
NLCONM 25/4N 45/4N	184	140	184	140	60	145	25	30	4.5
NLCONM 63/3N 100/3N	305	260	285	240	60	153	25	30	4.5



© Newlec NLCONM F0